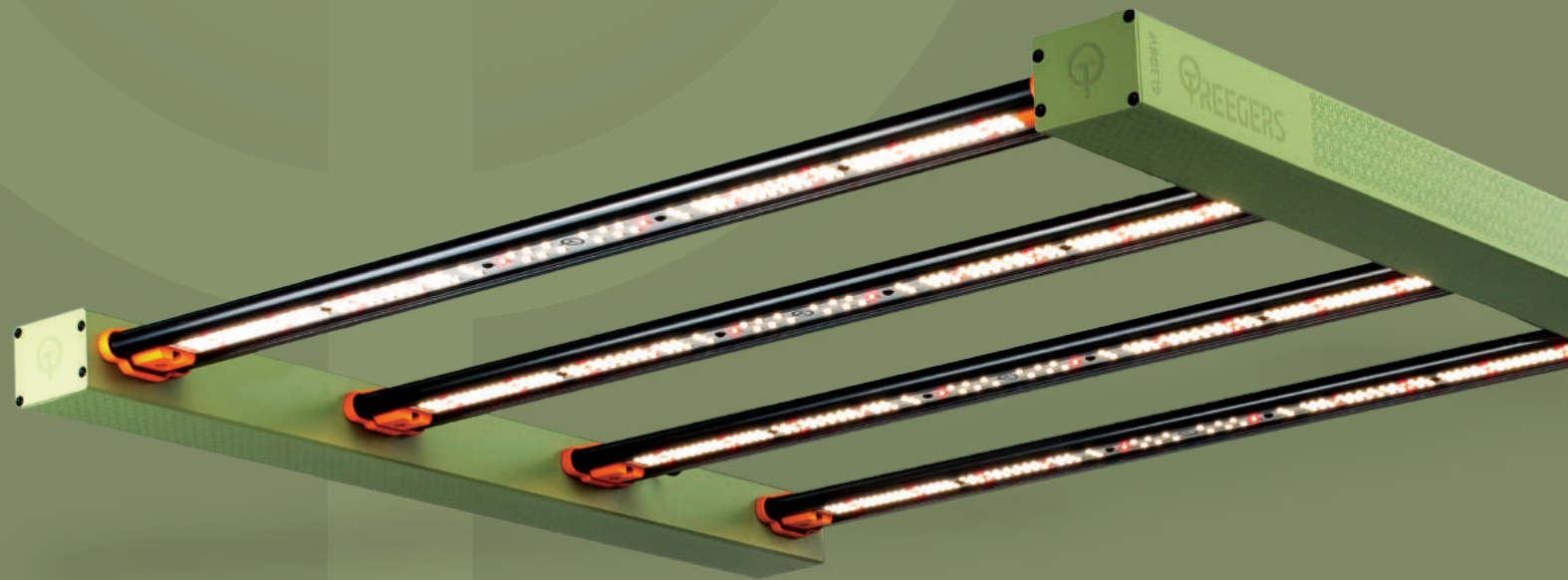


TREEGERS GL300W LED FIXTURE

This compact powerhouse has outstanding uniformity and fixture efficacy. Experience unparalleled plant growth with our IP66 rated, full-spectrum GL300W LED grow light. Perfect for an area of up to 1.0 x 1.0m.

PERFORMANCE DATA



TREEGERS GL300W LED FIXTURE - PERFORMANCE DATA

<p>Up to 4.2 $\mu\text{mol}/\text{J}$ Diodes Efficacy</p>	<p>825 $\mu\text{mol}/\text{s}$ PPF Output</p>	<p>IP66 WATERPROOF</p>	<p>3 YEAR WARRANTY</p>	<p>CE CERTIFIED</p>	<p>RoHS CERTIFIED</p>	<p>EMC CERTIFIED</p>	
<p>2.8 $\mu\text{mol}/\text{J}$ Photon Efficacy</p>	<p>INDUSTRY LEADING LIGHT UNIFORMITY</p>	<p>PLUG & PLAY</p>	<p>DESIGNED BY TREEGERS IN THE UK AND AUSTRALIA</p>	<p>LVD CERTIFIED</p>	<p>RCM CERTIFIED</p>	<p>UK CA CERTIFIED</p>	



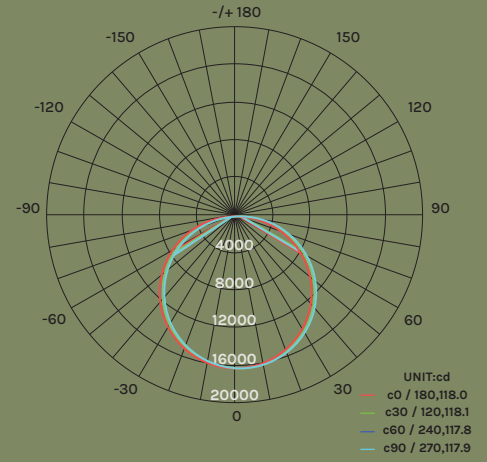
treegers.com

SPECIFICATIONS:

Product Code: TGL0001
EAN/GTIN: 9309001188030
Power Consumption: 300W ±5%
Light Output PPF: 825 µmol/s
Fixture Efficacy: 2.8 µmol/J
Coverage Area: Minimum 0.8x0.8m up to Maximum 1.0x1.0 m
Application: Grow Tent, Grow Room, Multi-layer
Thermal Management: Passive Cooling
Input Voltage: 120-277V, 50/60 Hz
Max. Ambient Temperature/Humidity: 45°C / 90%
CCT: 4000K
CRI: +85
Power Factor: >0.95
THD: 20% max
Light Source: Ledestar 4000K & 5000K White 3030; Ledestar 660nm Red 3535 1.24
No of LED Bars: 4
No of Diodes Total: White 720; Red 64
No of Diodes per LED Bar: White 180; Red 16

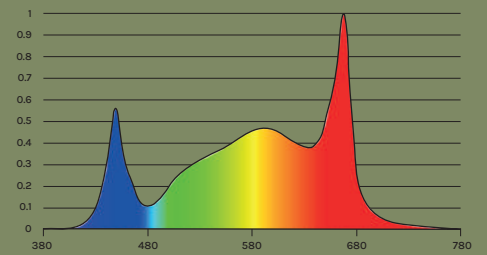
Diodes Efficacy: White 3030 3.25 µmol/J; Red 3535 4.2µmol/J
Driver: Inventronics
Ingress Protection: IP66
Lifetime LED Bars: +60 000Hrs
Lifetime Driver: +120 000Hrs under 80% loading
Dimming: 0-10-20-30-40-50-60-70-80-90-100% (w/ Treegers Precise T Dimmer 0-10V)
External Control: w/ Treegers Growcast or any Universal Controller
BTUs/h: 1024
Fixture Dimensions: 700x600x41 mm
Fixture Weight: 4.2 Kg
Carton Dimensions: 755x97x655 mm
Gross Weight: 5.32 Kg
Certifications: CE, UKCA, RCM, RoHS, SAA
Warranty: 3 Years
Light Distribution: 120°

AVERAGE BEAM ANGLE (50%) : 117.9 DEG



SQD SPECTRUM GRAPH:

Full-Spectrum Fusion by TREEGERS



Full-Spectrum Fusion, used on our GL series of LEDs, is well-balanced and a perfect choice for Full-Cycle growing. Its total CCT and wavelength ratios also makes it an optimal choice for Propagation, Clones, Mothers and Vegetative stages.

GL300W - MAXIMUM INPUT CURRENT

Input Volt	DIMMING	INPUT POWER (W)	INPUT CURRENT (A)
120VAC	100%	312.9W	2.77
230VAC	100%	301.3W	1.55
240VAC	100%	300.8W	1.49
277VAC	100%	301.2W	1.31

TESTING PARAMETERS

Tested Product: Treegers GL300W LED Fixture
Distance from Canopy: 30cm, 40cm, 50cm, 80cm, 100cm
Area: 0.8x0.8m for 30cm, 40cm & 50cm ; 1.0x1.0m for 80cm & 100cm
Points: 36 (6x6) for 0.8x0.8m ; 64 (8x8) for 1.0x1.0m
Testing Equipment: Integrated 2m Sphere, Apogee & Treegers Quantum PAR Meters

Reflection: 0%
Fixture Power Intensity: 100%
Fixture orientation:



WHAT'S IN THE BOX?

- 1 x GL300W LED Fixture (w/ 4 LED Bars, Integrated Driver & Frame)
- 1 x Power Cable (w/ 1.8 m length, plug & Jnicon connector)
- 2 x Stainless Cable Hangers (D2 x 105mm)
- 1 x User Guide

PPFD MAPS PER CANOPY TO LIGHT DISTANCE

PPFD Map at 40cm

399	514	573	575	513	397
540	690	777	777	689	538
607	786	878	871	792	610
602	790	870	857	780	606
543	690	783	774	686	537
397	513	578	577	517	398

Recommended Coverage: 0.8x0.8m
 Uniformity Ratio: 0.62
 Canopy Average PPFD: 640,31 µmol/s/m²

PPFD Map at 50cm

360	434	478	478	434	357
447	549	614	614	543	445
502	615	685	680	619	504
499	619	683	691	609	503
444	545	608	609	553	445
360	437	475	476	434	361

Recommended Coverage: 0.8x0.8m
 Uniformity Ratio: 0.69
 Canopy Average PPFD: 519,92 µmol/s/m²

PPFD Map at 80cm

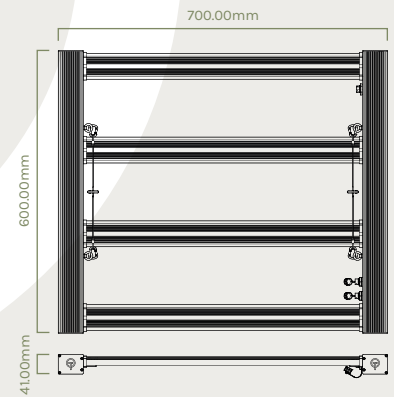
170	199	222	234	235	221	200	170
199	235	264	283	285	264	236	198
224	266	301	323	324	302	264	222
238	286	323	345	344	324	285	239
239	284	326	342	344	320	285	239
223	264	300	323	320	304	266	223
199	238	263	284	283	266	237	199
170	197	222	232	233	220	198	170

Recommended Coverage: 1.0x1.0m
 Uniformity Ratio: 0.66
 Canopy Average PPFD: 256,81 µmol/s/m²

PPFD Map at 100cm

142	160	172	180	181	173	160	142
160	181	195	206	207	197	181	161
175	198	215	226	227	214	199	175
182	206	226	227	227	225	204	183
180	207	227	225	226	225	207	181
174	198	217	224	227	215	196	176
159	183	195	204	205	194	180	159
143	161	171	180	180	171	158	142

Recommended Coverage: 1.0x1.0m
 Uniformity Ratio: 0.75
 Canopy Average PPFD: 190,58 µmol/s/m²



TREEGERS

TACTICAL GROW GEAR

For more please visit treegers.com
 or Contact us at support@treegers.com