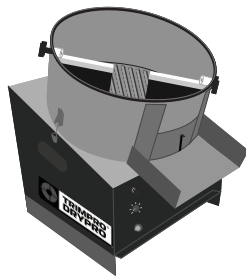




THE TRIMPRO DRYPRO IS DESIGNED TO BE USED WITH DRIED PLANTS.



USER INSTRUCTIONS

1. Carefully read the security instructions (see Warnings) before using the machine.
2. Plug the machine into an electrical outlet.
3. Turn on the machine using the Forward (FWD) (A) switch.
4. Fill the upper container (B) with dried plants (between 8-12% humidity) without branches.
5. Adjust the motor dimmer (C) at MAX and adjust accordingly.
6. Set timer (D) to desired time according to volume and strain of the plants
7. Let the plants move around in the machine according to desired time or until the desired cut is obtained.
8. Adjust the brushes (K) angle accordingly with side screw handles (L).
9. Open the exit door (E) and turn the switch to Reverse (REV) until upper container is empty.
10. Remove frequently the accumulation of trim in the bottom tray (F) so it does not obstruct the motor's ventilation.
11. Turn off the machine using the STOP switch (A) and by turning off the timer (D).
12. Unplug the machine from the electrical outlet.

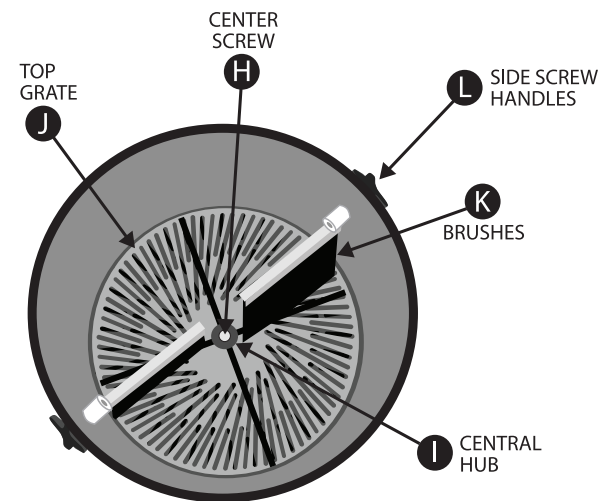
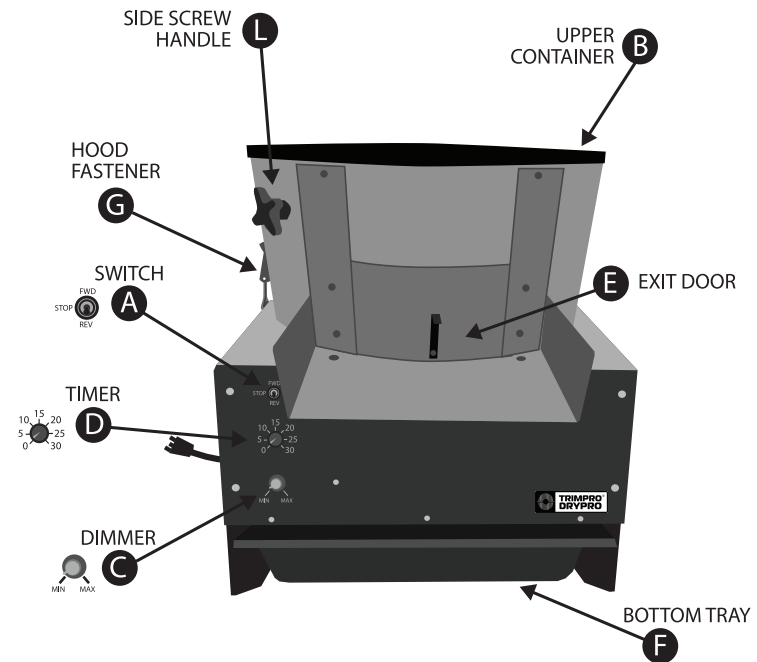
Note: DO NOT USE YOUR HANDS to stop the motor as this may burn the motor. Turn off the motor using the STOP switch instead.

WARNING! WHEN THE MACHINE IS RUNNING

- Never put your gloves, fingers or any body parts in contact with the grates.
- Safety glasses and gloves are required at all time.
- Gloves have to be tight enough so they can't get inside the grates slots. A loose glove is dangerous, beware!
- Never apply pressure on the grates.
- Do not use scissors, knives or any instrument above the grates.

MAINTENANCE

In order to facilitate the trimming, clean both grates frequently with isopropyl alcohol. This must be done when the machine is not running. Turn the machine switch to STOP (A).
Remove the hood fastener (G) from the upper container.
Remove the upper container (B).
Untighten the center screw (H) to remove the central hub (I) and the top grate (J) from the motor shaft.
Remove the top grate (J) with both hands so it does not bend.



FOR INFORMATION OR TO ORDER
VISIT : WWW.TRIMPRO.COM
Contact : info@trimpro.com
Call (Canada): +1-450-349-0811

CSA & CE STANDARD (IN PROGRESS)

To be used in accordance with all applicable laws and regulations. The manufacturer does not accept any responsibility for damages caused to or by the TRIMPRO DRYPRO which is the result of improper use or assembly.